

ARMOILO™



Floor Xero™

Floor Xero™

The Armodilo Floor (Xero) tablet stand offers the same high quality build and profile as the award-winning 3-in-1, but in a single configuration, making it the perfect freestanding iPad and tablet powered kiosk. With full access to tablet features, Square Card Reader compatibility for point-of-sale setup, and fully-customizable faceplates and brandability options, the Floor (Xero) is the best choice for flexibility in any trade show, showroom, or branded interactive display installation.

Features & Benefits

- Lifetime Warranty
- Durable lightweight aluminum (only 9.05 lbs) for easy transportation and reduced shipping costs
- Sturdy aluminum or steel backing with Kensington lock port in back plate
- Set up in landscape or portrait mode
- Secure tablet mounting using ArmoLock™ security screws
- ADA compliant design
- Available in a variety of sizes to fit all iPads and tablets
- Full access to all tablet ports and buttons
- Compatible with Square and other card readers
- Many accessory and upgrade options available, including a variety of faceplates featuring interchangeable printed graphics, designer resin, or wood finishes



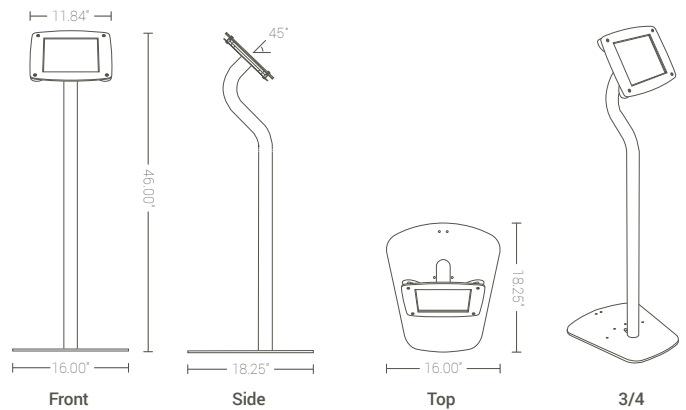
Shown in Sky White



Shown in Gun Metal Grey



Shown in Black



	Medium Enclosure
Height:	46.00" (1168 mm)
Width:	16.00" (406 mm)
Depth:	18.25" (464 mm)
Weight:	9.05 lbs (4.10 kg)
* Size and weight based on medium holder, size and weight will vary slightly with small and large holders	



Tablet-friendly
The only tablet enclosures in the world to offer support for a wide variety of tablets
[Learn more >](#)



Lifetime Warranty
We offer a Limited Lifetime Warranty on all of our tablet enclosures and stands
[Learn more >](#)



Tough & Secure
The toughest and most [secure tablet stands](#) and enclosures available



Award winning
Our [award-winning](#) tablet enclosures and stands have been recognized in various industries



Made in NA
All Armodilo products are 100% designed and manufactured in North America