

ARMOILO™



Floor

Floor

Our Floor tablet stand offers the same high quality build and profile as the 3-in-1, but in a single configuration, making it the perfect freestanding tablet solution. The design of the Floor stand is based on the award-winning 3-in-1, except with the simplicity of using only a single configuration. Like the rest of our Original products, the Floor stand offers true multi-tablet compatibility with our patent-pending Tablet Fit Kits™.

Features & Benefits

- Freestanding enclosure with a secure, fully enclosed ABS plastic tablet housing
- Award-winning design
- Lifetime Warranty
- Lightweight aluminum for easy transportation and reduced shipping costs
- Multi-tablet capability using our Tablet Fit Kit™ system
- ArmoLock™ security screws (stronger than traditional lock and key systems)
- Set up in landscape or portrait mode
- Fully integrated cable routing for a cable-free look
- Optional carrying bags
- Many accessory and upgrade options available



Shown in Sky White



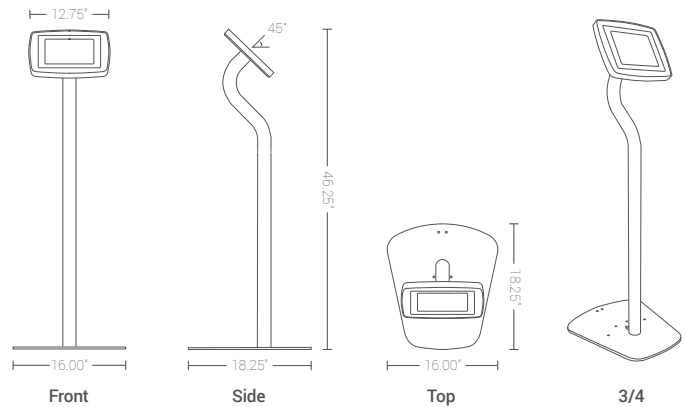
Shown in Gun Metal Grey



Shown in Black



| | Medium Enclosure | Large Enclosure |
|-----------------|--|---------------------|
| Height: | 46.25" (1175 mm) | 47.09" (1196 mm) |
| Width: | 16.00" (406 mm) | 16.00" (406 mm) |
| Depth: | 18.25" (464 mm) | 18.25" (464 mm) |
| Weight: | 10.15 lbs (4.60 kg) | 10.80 lbs (4.90 kg) |
| Cabling: | Cables can be run internally. Maximum cable opening 1.05" (27mm) | |



Tablet-friendly
The only tablet enclosures in the world to offer true multi-tablet support
[Learn more >](#)



Lifetime Warranty
We offer a Limited Lifetime Warranty on all of our tablet enclosures and stands
[Learn more >](#)



Tough & Secure
The toughest and most [secure tablet stands](#) and enclosures available



Award winning
Our [award-winning](#) tablet enclosures and stands have been recognized in various industries



Made in NA
All Armodilo products are 100% designed and manufactured in North America