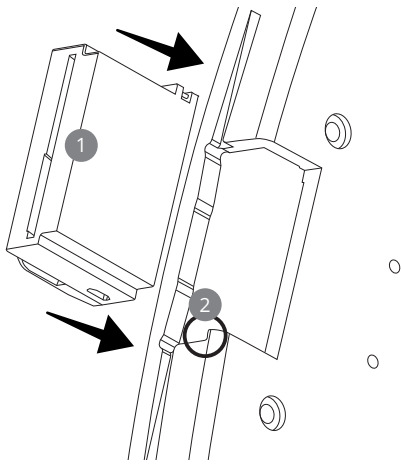
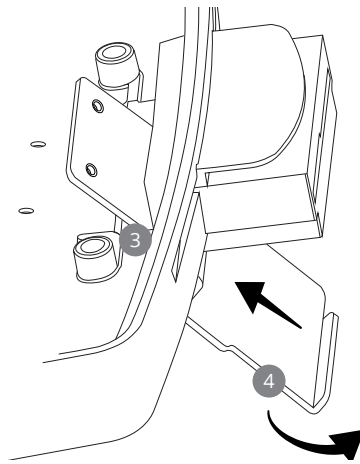


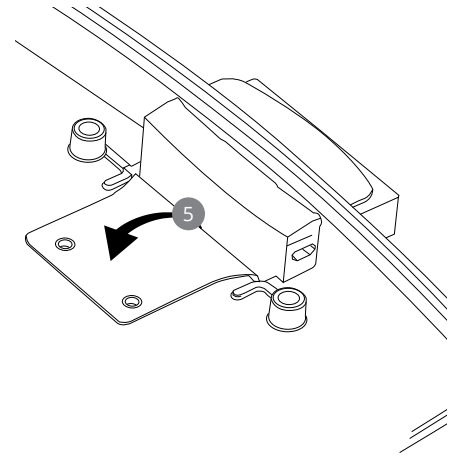
### Assembly



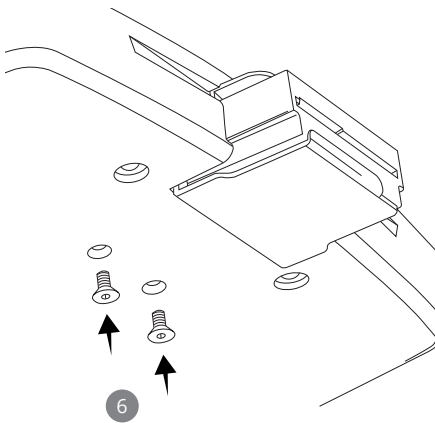
1. Insert the eDynamo card reader into the opening on the Armodilo enclosure
2. Ensure the card reader is oriented properly – the reader will fit snugly!



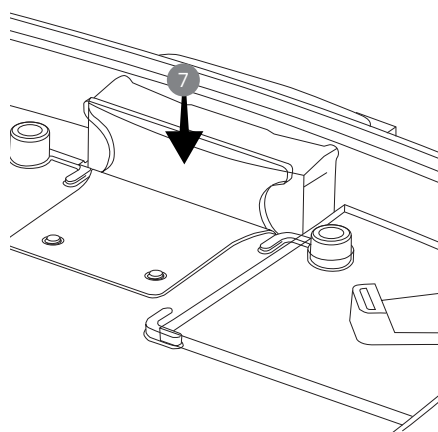
3. Do not push the reader all the way to the end, leave about 0.25" of space, enough to slide the bracket in.
4. Insert the card reader bracket as shown from the outside of the enclosure



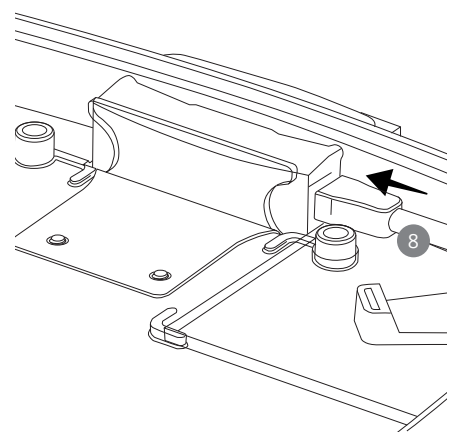
5. Push the inside of the card reader bracket down to align the holes in the bracket with the holes in the enclosure. This is where the eDynamo reader will need to be pushed in or out until the fit is correct.



6. Secure the two provided Phillips head screws from the outside of the enclosure into the card reader bracket. Tighten these screws until the bracket is snug against the inside of the enclosure.



7. Insert the acrylic spacer between the eDynamo card reader and the inside step of the card reader bracket to close up the current gap. This will prevent the reader from being pushed in during use.



8. \* Ensuring the Tablet Fit Kit corner is inserted into the housing, plug in the Micro-USB cable into the eDynamo reader to finish the installation. Run the cable to the tablet as desired.

\* This step is only required when using the Micro-USB plug option.