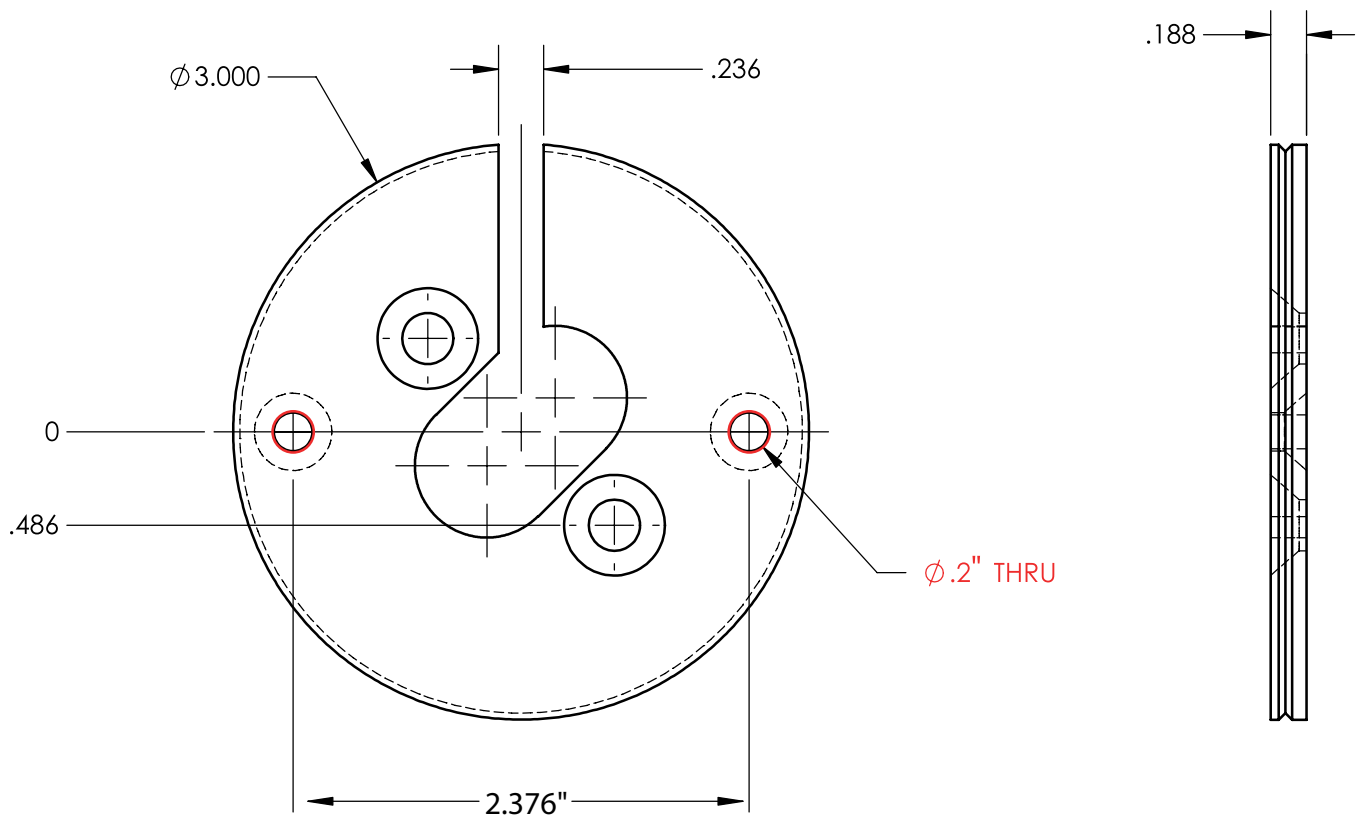


The (red) outer holes are used for mounting the Surface Stand to any counter or wall. Print this template at 100% (do not scale printing) for the correct spacing of the mounting and cable pass through holes.



TO FRONT