

ARMO»ILO™



3-in-1 Xero™



3-in-1 Xero™



The Armodilo Xero 3-in-1 is a flexible display solution that can be used as a floor, desktop or wall-mountable tablet stand. Custom-manufactured for your specific branding and tablet requirements, Xero is a highly customizable open tablet holder and iPad/tablet mounting system. Made of high quality components, Xero is remarkable for its fully-customizable brandability, including choice of designer motifs, wood finishes and fully-printed inserts.

Features & Benefits

- Lifetime Warranty
- Durable lightweight aluminum (only 10.40 lbs) for easy transportation and reduced shipping costs
- Sturdy aluminum or steel backing with Kensington lock port in back plate
- Set up in landscape or portrait mode
- Secure tablet mounting using ArmoLock™ security screws
- ADA compliant design
- Available in a variety of sizes to fit all iPads and tablets
- Full access to all tablet ports and buttons
- Compatible with Square and other card readers
- Many accessory and upgrade options available, including a variety of faceplates featuring interchangeable printed graphics, designer resin, or wood finishes



All three configurations shown in Sky White



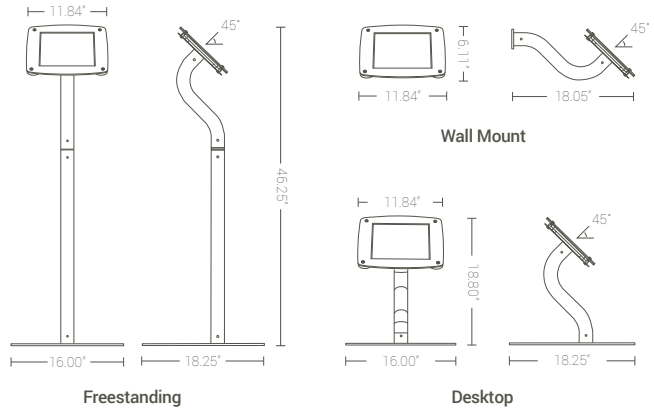
All three configurations shown in Gun Metal Grey



All three configurations shown in Black

	Freestanding	Desktop	Wall Mount
Height:	46.00" (1168 mm)	18.80" (478 mm)	6.11" (155 mm)
Width:	16.00" (406 mm)	16.00" (406 mm)	11.84" (300 mm)
Depth:	18.25" (464 mm)	18.25" (464 mm)	18.05" (458 mm)
Weight:	10.40 lbs (4.72 kg)	7.26 lbs (3.29 kg)	2.35 lbs (1.07 kg)

* Size and weight based on medium holder, size and weight will vary slightly with small and large holders



Tablet-friendly
The only tablet enclosures in the world to offer support for a wide variety of tablets
[Learn more >](#)



Lifetime Warranty
We offer a Limited Lifetime Warranty on all of our tablet enclosures and stands
[Learn more >](#)



Tough & Secure
The toughest and most secure tablet stands and enclosures available



Award winning
Our award-winning tablet enclosures and stands have been recognized in various industries



Made in NA
All Armodilo products are 100% designed and manufactured in North America

* Specifications subject to change without notice. © 2015 Armodilo Display Solutions, a division of Bonzai Design Group Inc. Armodilo™, Xero™, ArmoLock™ and Tablet Fit Kit™ are trademarks of Armodilo Display Solutions. All rights reserved. Canadian Pat. No. 141837 | US Pat. No. D671545 | Other Patents Pending