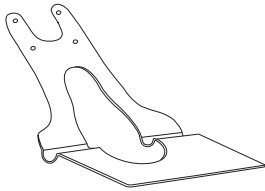


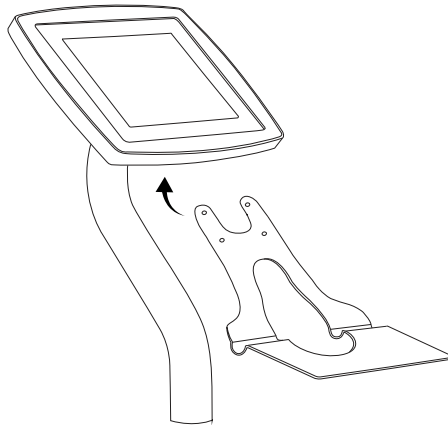
Assembly

1



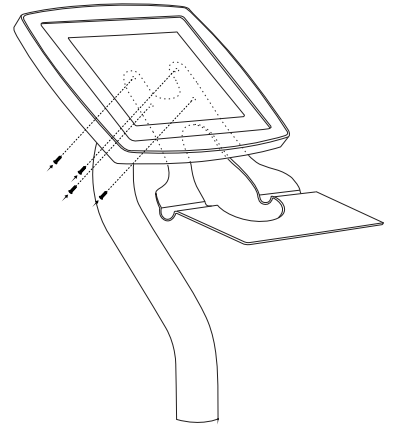
Keyboard tray

2



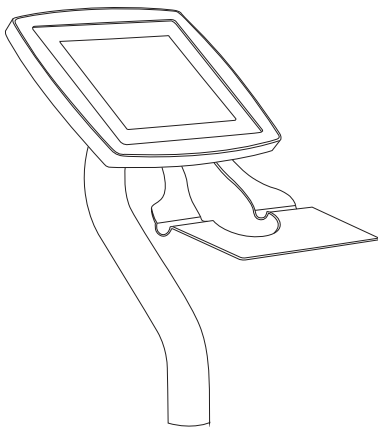
Line up keyboard tray to underside of tablet enclosure

3



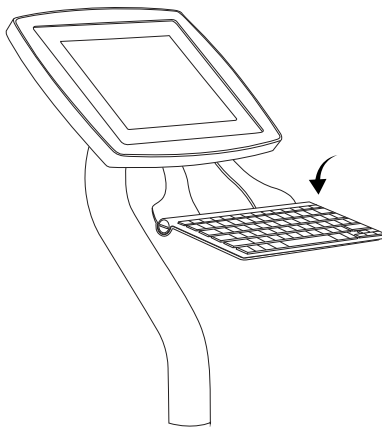
Use four M4 screws to attach keyboard tray to enclosure's VESA mounting points

4



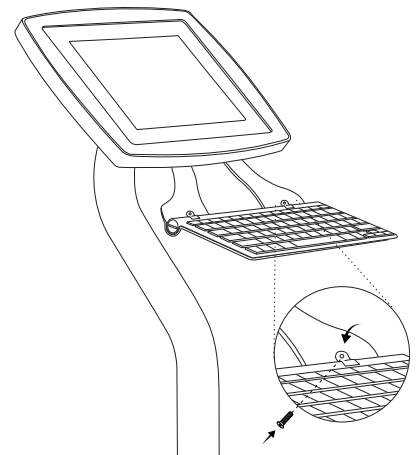
Keyboard tray attached to tablet enclosure

5



Place keyboard onto keyboard tray as shown

6



Optional: Use optional keyboard tabs to secure keyboard into keyboard tray as shown.

Optional: For added security, optional Velcro pads can be placed onto the keyboard tray and keyboard to prevent the keyboard from sliding out of the keyboard tray with the tabs fastened.